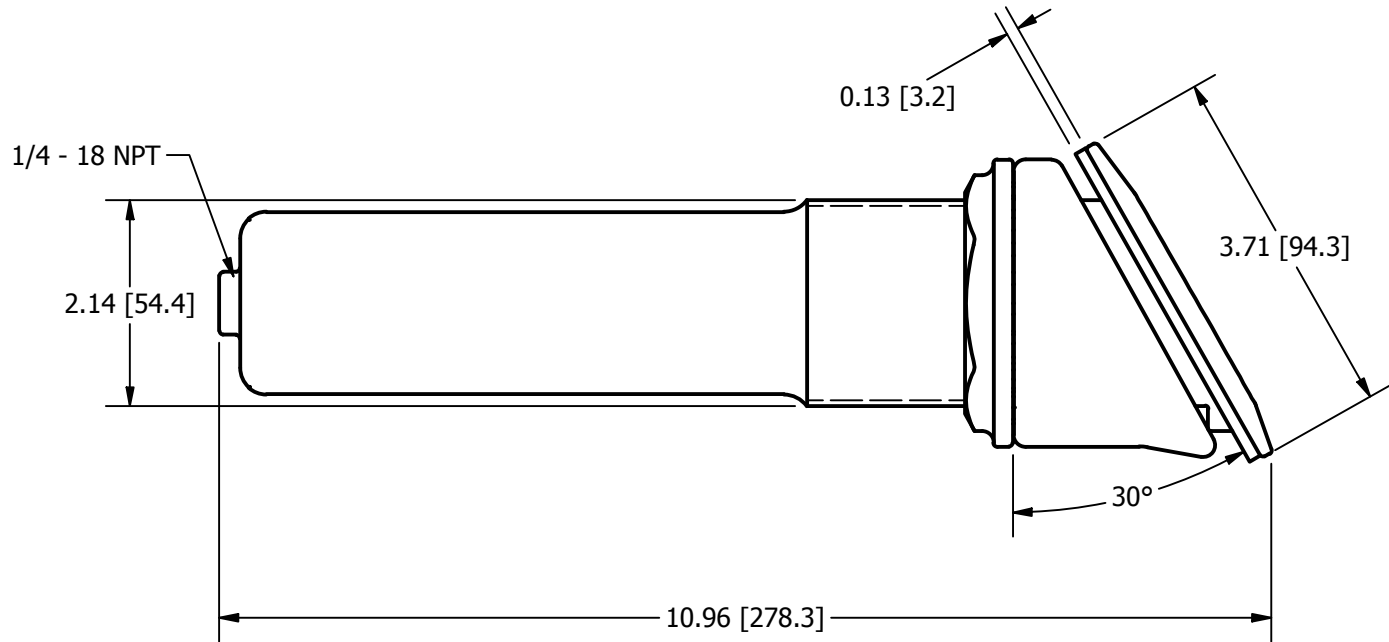
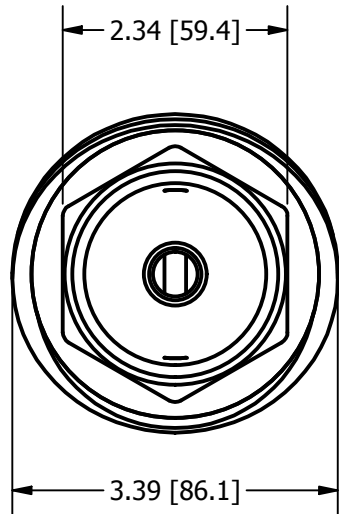


Marketing Drawing for 105525



Description
ROD HOLDER 30DEG SCREWLESS EXT THREAD

Size	Part No	Rev	Scale
A	105525	1	1:2

Phone: 800.874.4506

www.gemlux.com

***NOTES**

- 1) MINIMUM INSTALLATION THICKNESS = 0.25"
- 2) MAXIMUM INSTALLATION THICKNESS = 1.63"
- 3) ROD HOLDER ID = 1.50"