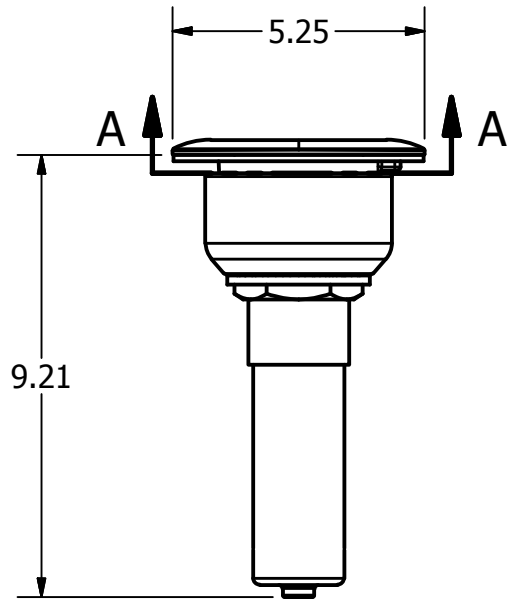
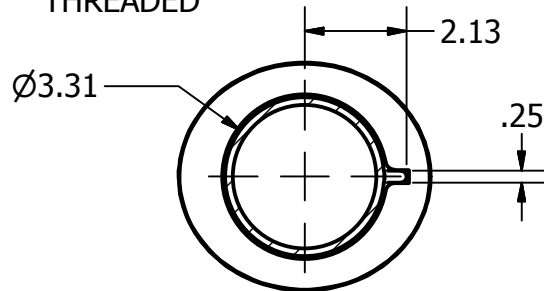


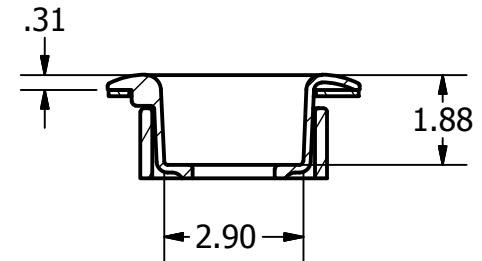
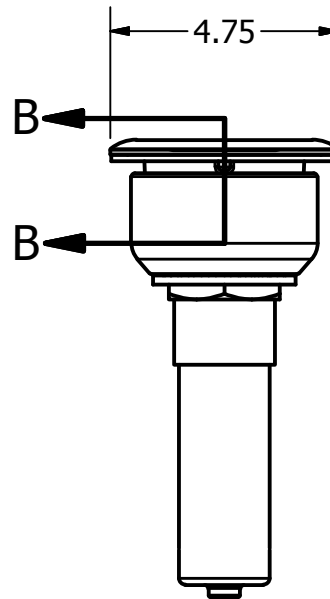
MARKETING DRAWING



1/4 - 18 NPT
THREADED



SECTION A-A
CUTOUT DIMENSIONS



SECTION B-B
CUP DIMENSIONS

INSTALLATION THICKNESS
MIN: 0.250"
MAX: 1.625"



Description
SCREWLESS CUP AND ROD
HOLDER, 0 DEGREES

Size	Part No	Rev	Scale
A	105547	0	1/4

Phone: 800.874.4506

www.gemlux.com