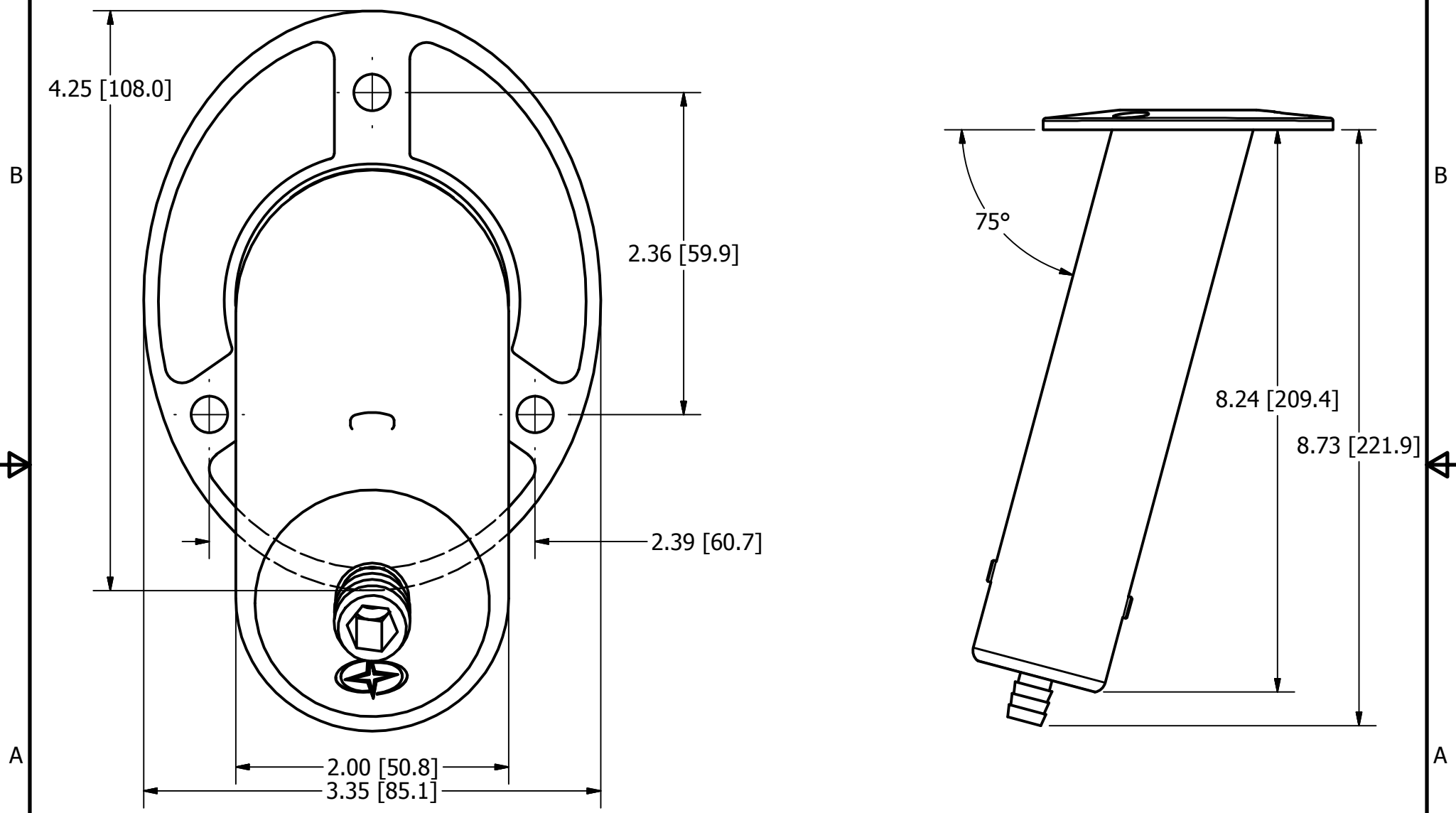


Marketing Drawing



Part Number			Rev	Description		
315515			0	15 Degree Standard Rod Holder		
Paper	Standards	Tolerance			Scale	Sheet
A	INCHES[MM]	X.x" ±.100"	X.xx" ±.020"		1:2	1 OF 1
		X.xxx" ±.005"				

140 Industrial Loop
 Orange Park, FL 32073
 Phone: 800.874.4506
 www.gemlux.com