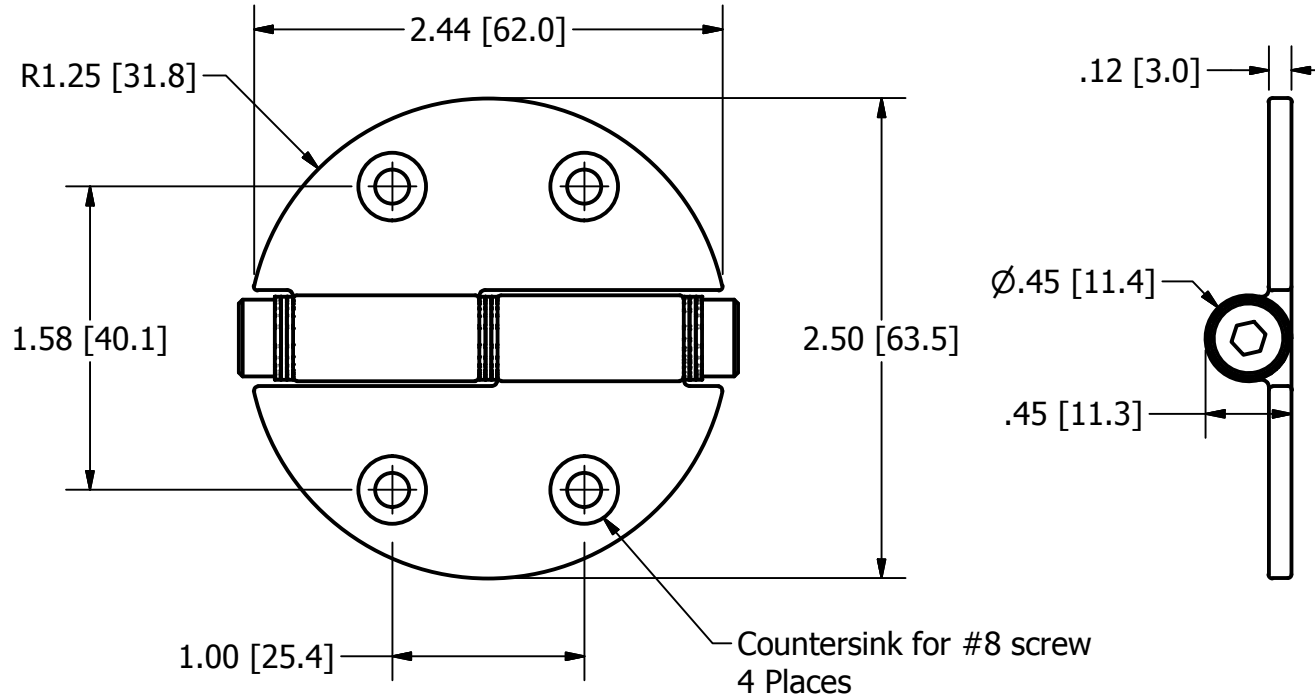


Marketing Drawing for FH-1230-TM



Description
Friction Hinge 2.5" Round, Top Mount

Size	Part No	Rev	Scale
A	FH-1230-TM	3	1:1

Phone: 800.874.4506

www.gemlux.com