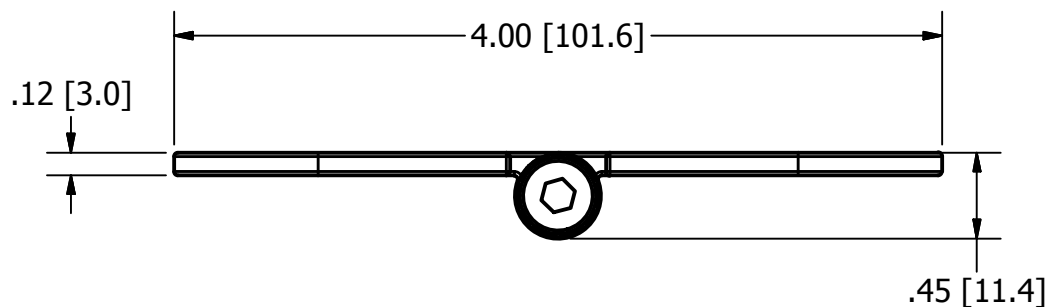
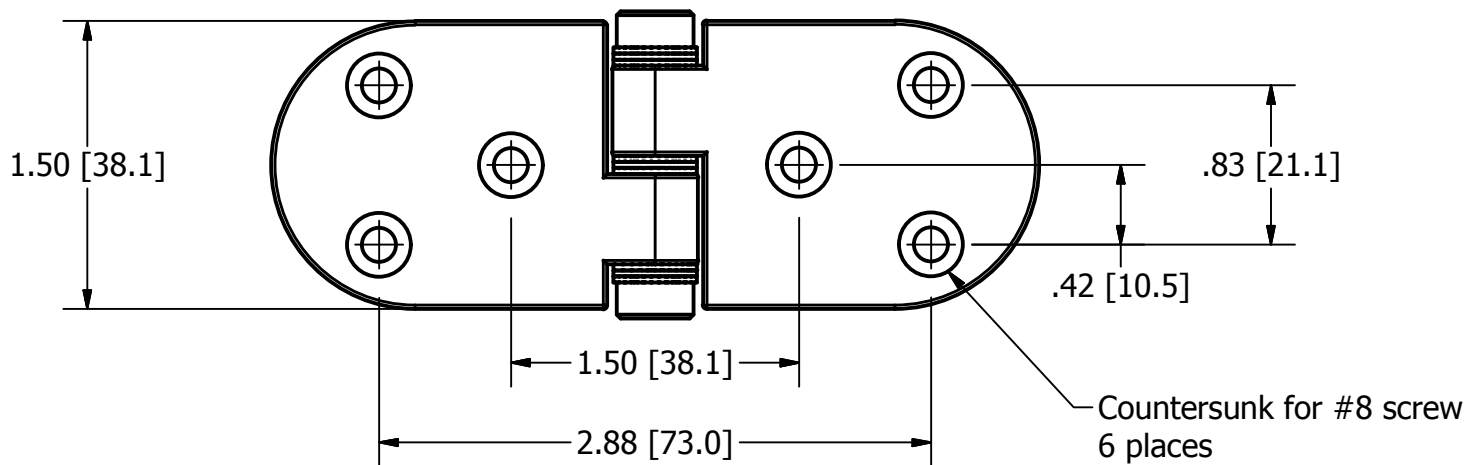


Marketing Drawing



Part Number			Rev	Description		
FH-2176-FM			0	Friction Hinge 4.0"x1.5", Flush Mount		
Paper	Standards	Tolerance		 140 Industrial Loop Orange Park, FL 32073 Phone: 800.874.4506 www.gemlux.com	Scale	Sheet
A	INCHES[MM]	X.x"	±.100"		1:1	1 OF 1
	 	X.xx"	±.020"			
		X.xxx"	±.005"			