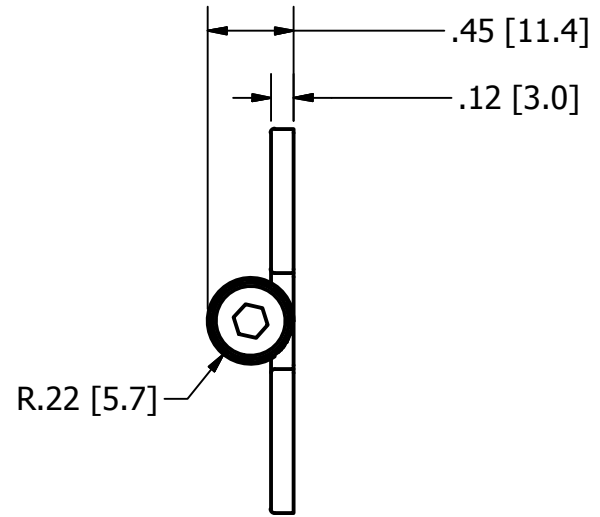
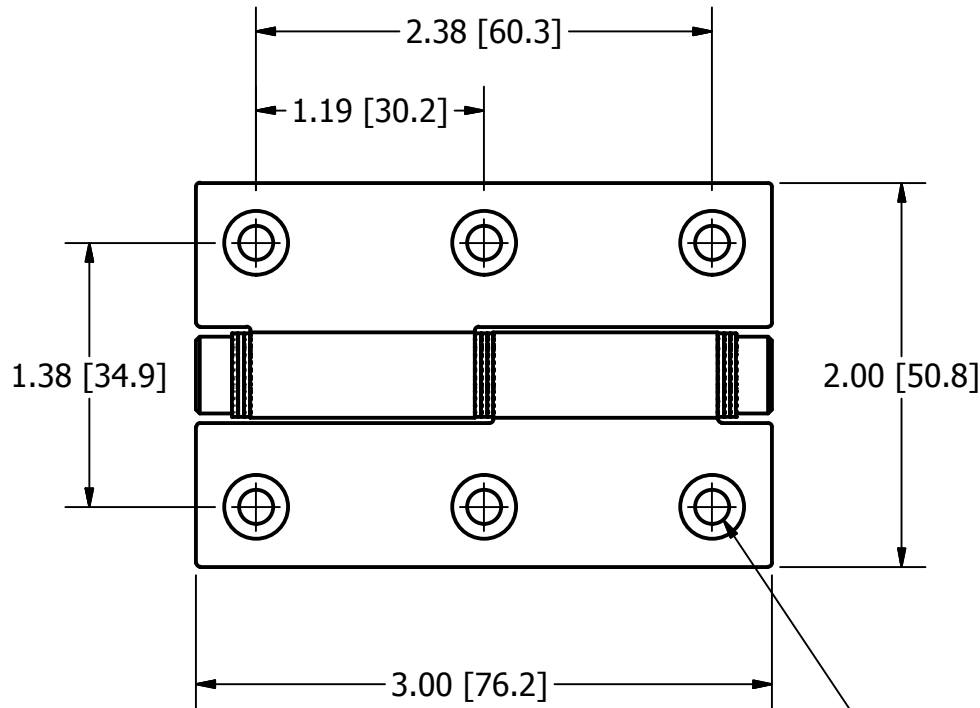


# Marketing Drawing for FH-2228-TM



Countersunk for #8 Screw  
6 Places



**Description**

Friction Hinge 2" x 3", Top Mount

Size	Part No	Rev	Scale
A	FH-2228-TM	3	1:1

Phone: 800.874.4506

www.gemlux.com