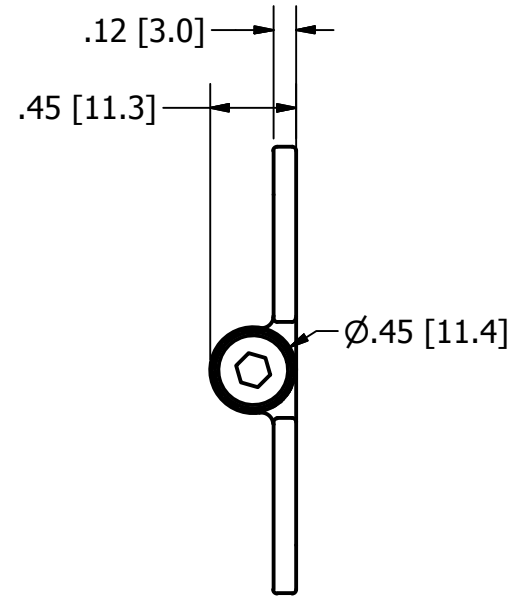
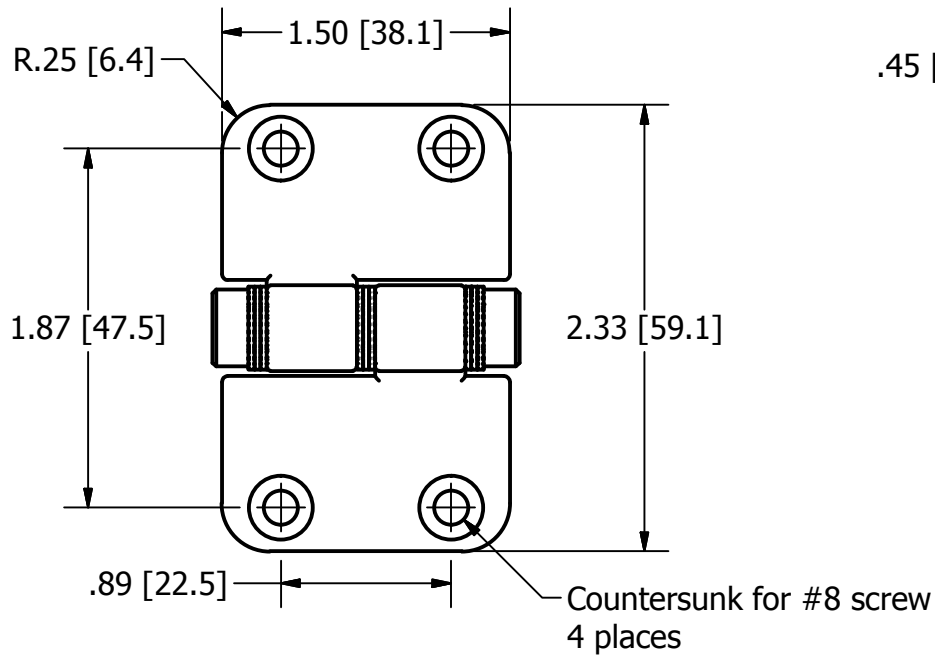


# Marketing Drawing for FH-3669-TM



**Description**  
Friction Hinge 2.325"x1.5", Top Mount

Size	Part No	Rev	Scale
A	FH-3669-TM	3	1:1

Phone: 800.874.4506

www.gemlux.com