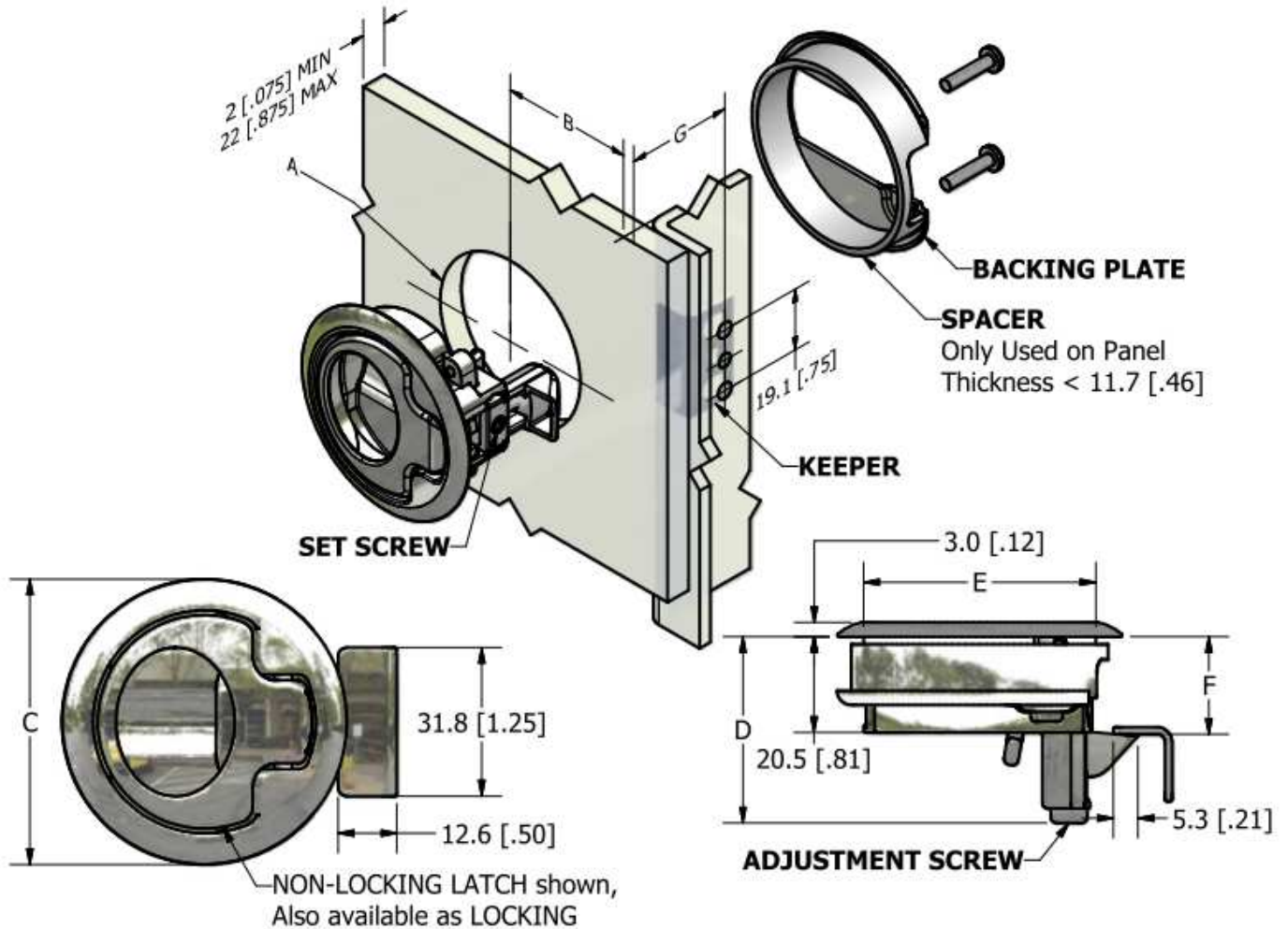




GEMINI PUSH TO CLOSE SLAM LATCHES WITH ADJUSTABLE PAWL GRIP

- 316 Stainless Steel*
- Spring Loaded 2 Finger Pull
- Adjustable Pawl Grip
- 2" and 2.5" Latches available in both Locking and Non-Locking versions
- Superior GEMLUX Finish
- Single, Round Hole Installation
- Allows for install without a Keeper



PART NUMBER		HOLE SIZE A	KEEPER DISTANCE B	FACE DIAMETER C	PAWL LENGTH D	BODY DIAMETER E	PAWL GRIP F		KEEPER DISTANCE G
Non-locking	Locking						Min	Max	
3155	3154	50 [2.0]	41 [1.62]	61.0 [2.40]	39.8 [1.57]	49.7 [1.96]	20.9 [.82]	27.7 [1.09]	F + 7.5 [.30]
3255	3254	63.5 [2.5]	52.5 [2.07]	76.0 [3.0]	46.2 [1.82]	62.1 [2.45]	20.5 [.80]	33.7 [1.33]	F + 7.5 [.30]

ADJUSTMENT INSTRUCTIONS: Tighten/Loosen ADJUSTMENT SCREW to pawl grip distance, Tighten SET SCREW

* Some components made of 304 Stainless Steel