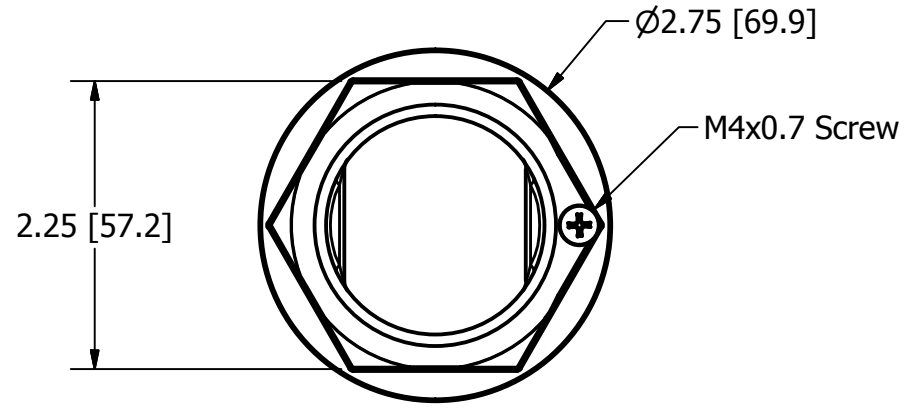
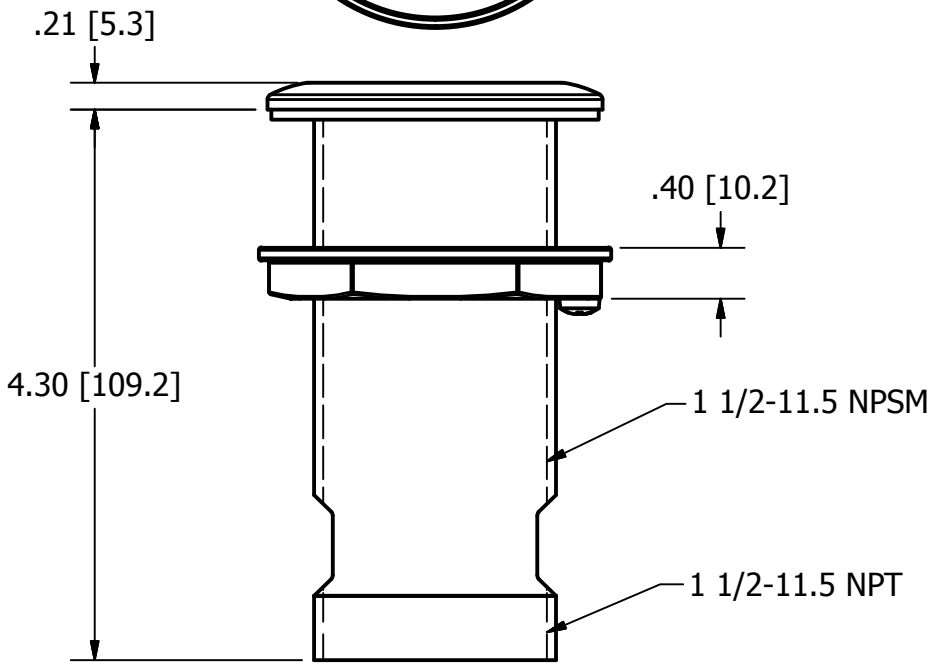
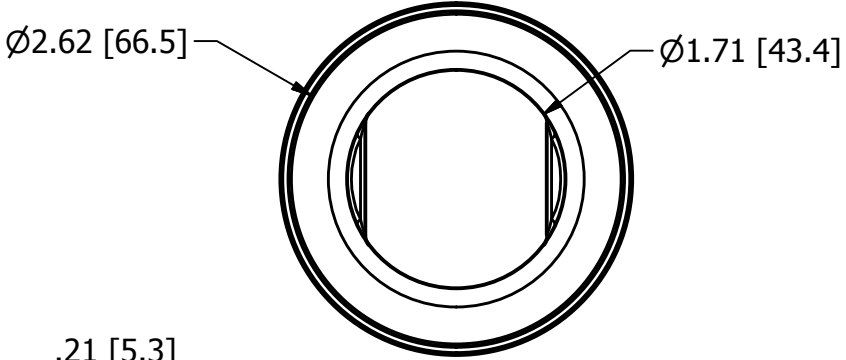


Marketing Drawing for TH-150-425



Description
Thru Hull 1.5", 4.25" Long, w/ SS Nut

Size	Part No	Rev	Scale
A	TH-150-425	1	2:3

Phone: 800.874.4506

www.gemlux.com