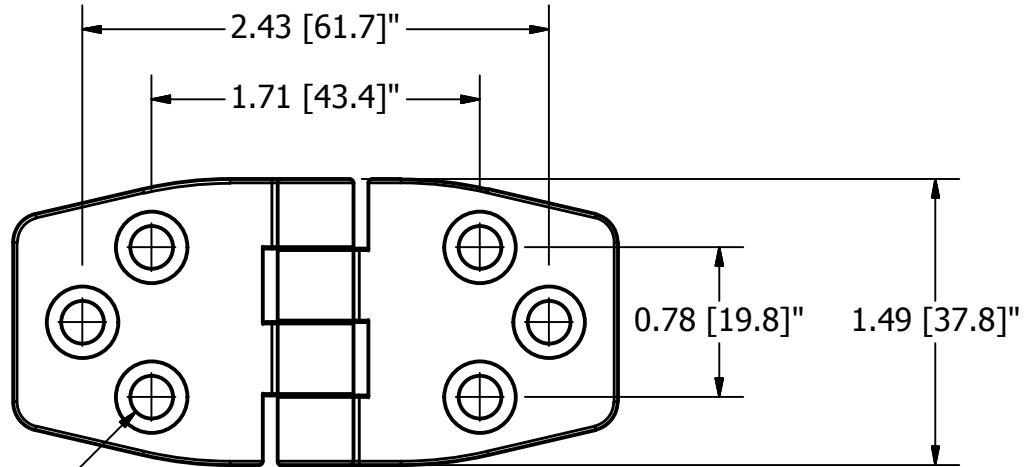
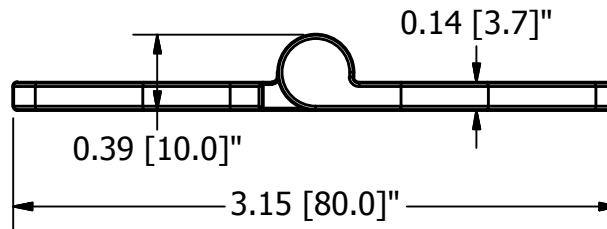


# Marketing Drawing



Use #10 fasteners  
x6 places



Part Number			Rev	Description			
120902			4	Hinge 3.19" X 1.5," Cast			
Paper	Standards	Tolerance			Scale	Sheet	
A	INCHES[MM]	X.x"	±.100"		140 Industrial Loop Orange Park, FL 32073 Phone: 800.874.4506 www.gemlux.com	1:1	1 OF 1
		X.xx"	±.020"				
		X.xxx"	±.005"				