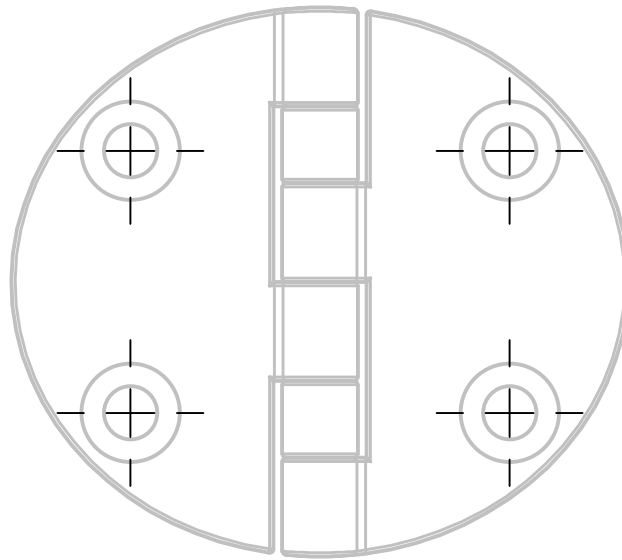


Installation Template



Part Number			Rev	Description			
130410			0	Hinge 2.88" x 3.25", Round, TM			
Paper	Standards	Tolerance			140 Industrial Loop Orange Park, FL 32073 Phone: 800.874.4506 www.gemlux.com	Scale	Sheet
A	INCHES[MM]	X.x"	±.100"			1:1	1 OF 1
	 	X.xx"	±.020"				
		X.xxx"	±.005"				