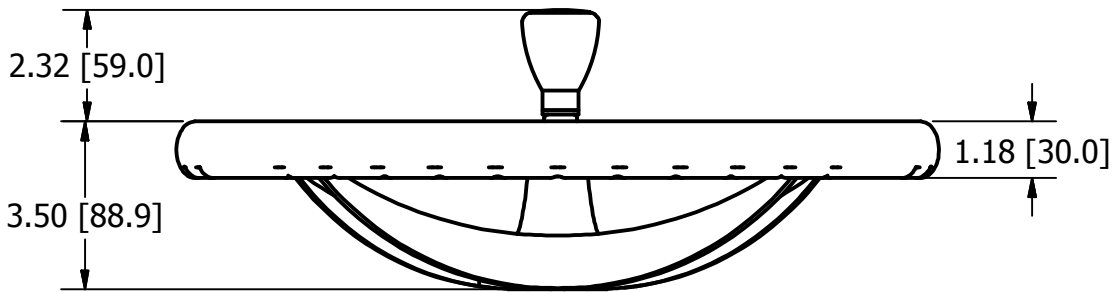
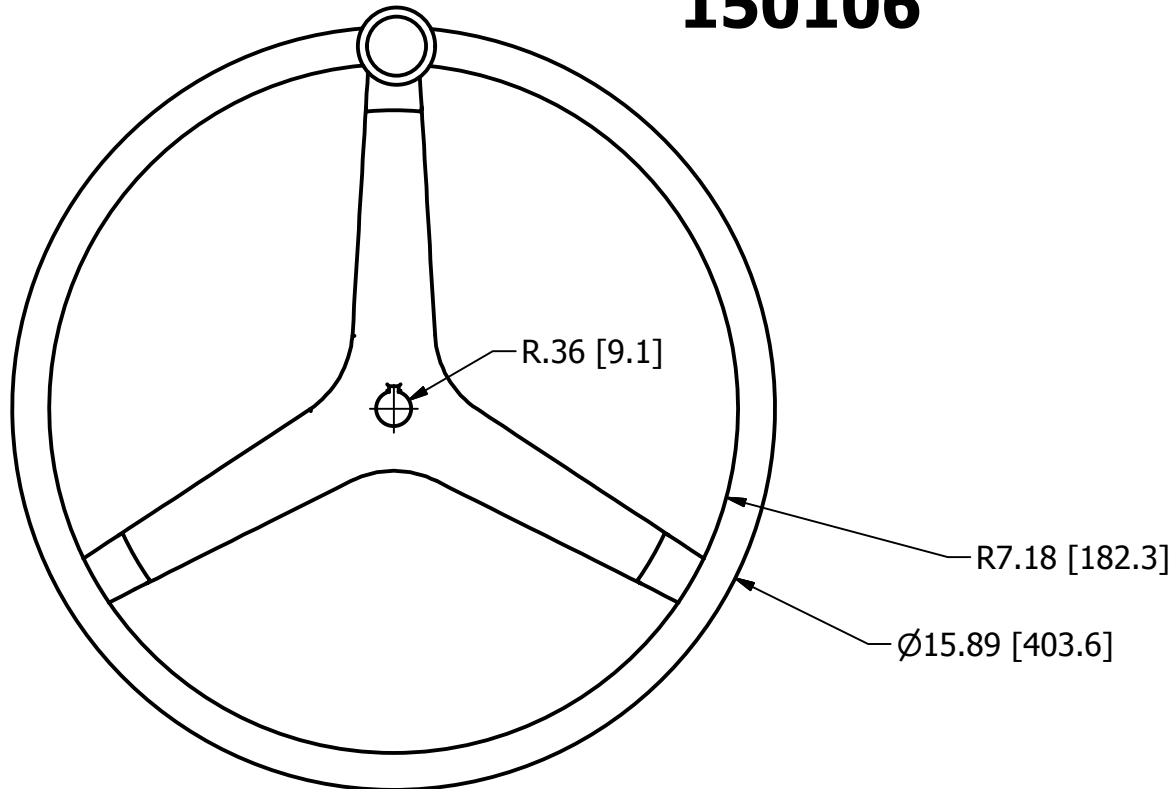


# Marketing Drawing for 150106



**Description**  
15-1/2" Steering Wheel with Knob

| Size | Part No | Rev | Scale |
|------|---------|-----|-------|
| A    | 150106  | 0   | 1:4   |

Phone: 800.874.4506

www.gemlux.com