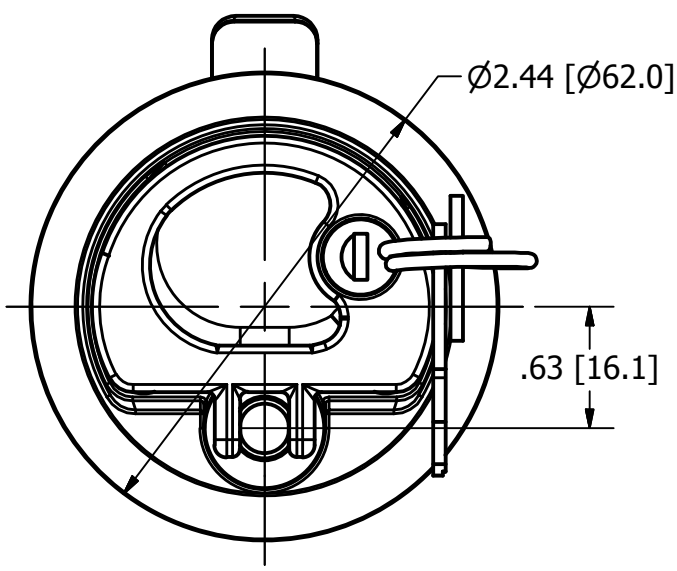
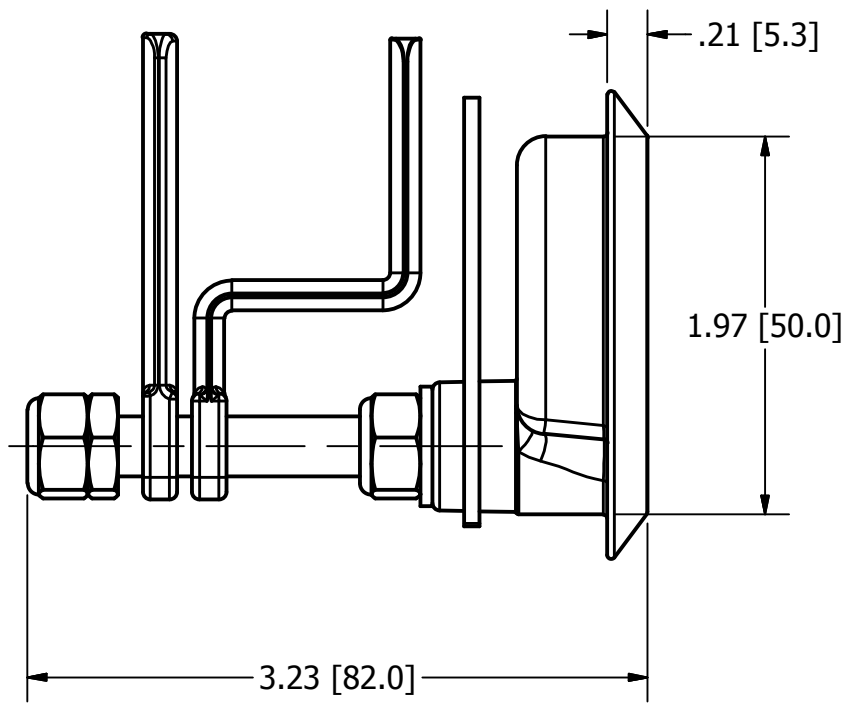


Marketing Drawing for 2264-2



Description
2.5" LIFT HANDLE LOCKING

Size	Part No	Rev	Scale
A	2264-2	1	1:1

Phone: 800.874.4506

www.gemlux.com