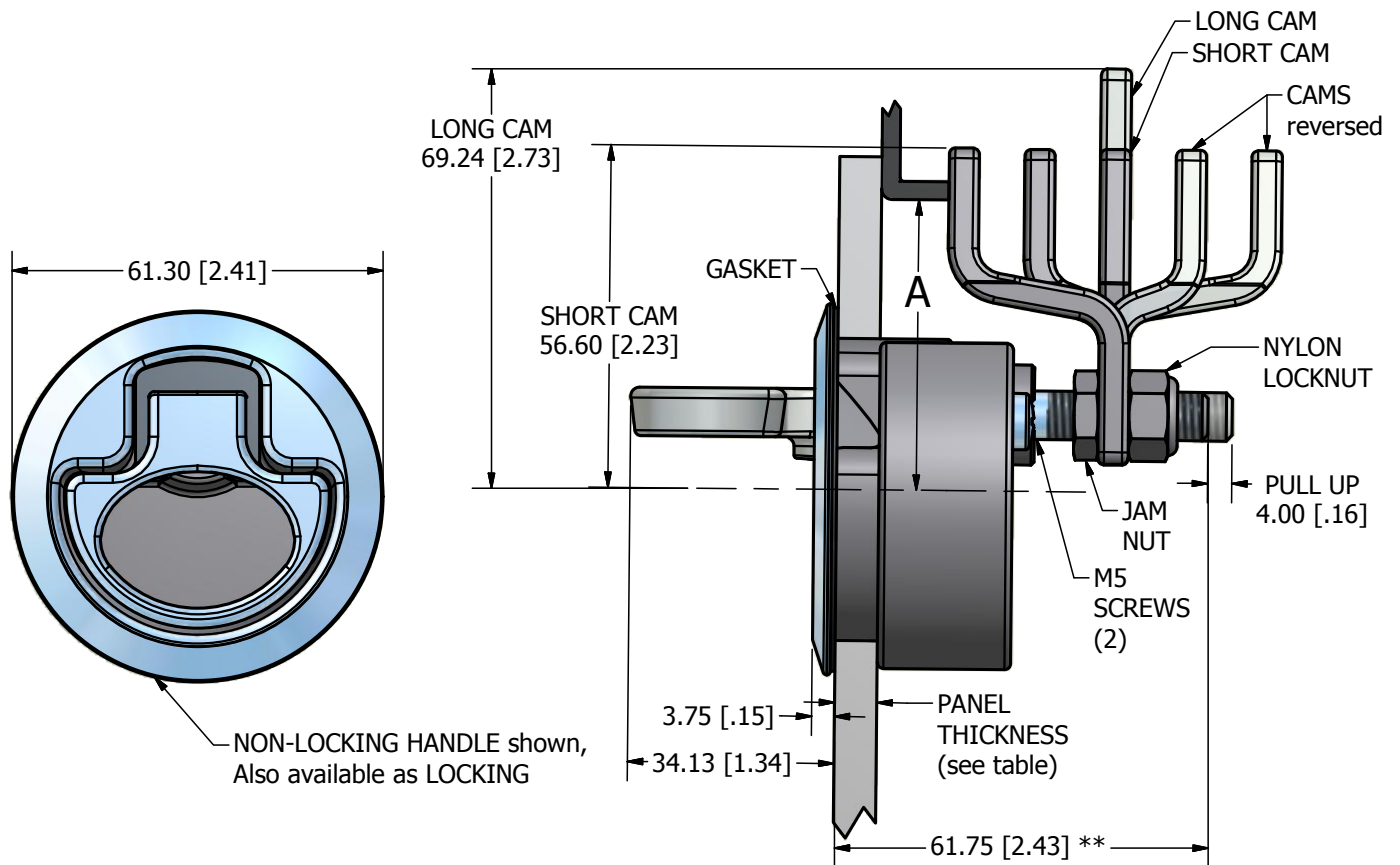




2" BEVELED EDGE COMPRESSION LATCHES

- 316 Stainless Steel*
- Superior GEMLUX Finish
- Latch available in both Locking and Non-Locking
- Single, 2" Round Hole Installation



Series	Hole ϕ	Panel Thickness X	Grip Range				Part Number				A	
			Cam Forward		Cam Reversed		Non-Locking		Locking			
			MIN	MAX	MIN	MAX	Short Cam	Long Cam	Short Cam	Long Cam	Short Cam	Long Cam
5024	50 [2.0]	2 [.075]	[X + 19]	[X + 19] 28[1.10]	63[2.48]	76[3.00]	5024-1111	5024-1114	5024-1211	5024-1214	48+1.5	60+1.5
		to	[X + 19] 27[1.06]	40[1.57]	51[2.01]	64[2.52]	5024-1112	5024-1115	5024-1212	5024-1215		
		12 [.475]	39[1.53]	52[2.04]	-	-	5024-1113	5024-1116	5024-1213	5024-1216		
		to	[X + 9]	[X + 9] 28[1.10]	63[2.48]	76[3.00]	5024-1121	5024-1124	5024-1221	5024-1224		
		12 [.475]	[X + 9] 28[1.10]	40[1.57]	51[2.01]	64[2.52]	5024-1122	5024-1125	5024-1222	5024-1225		
		22.5 [.885]	39[1.53]	52[2.04]	-	-	5024-1123	5024-1126	5024-1223	5024-1226		

All dimensions in millimeters [inches]

*Some components made of 304 stainless steel and nylon

**Note - For shaft length = 3.3in, change 2nd digit in part to "1"

For shaft length = 4.5in, change 2nd digit in part to "2"