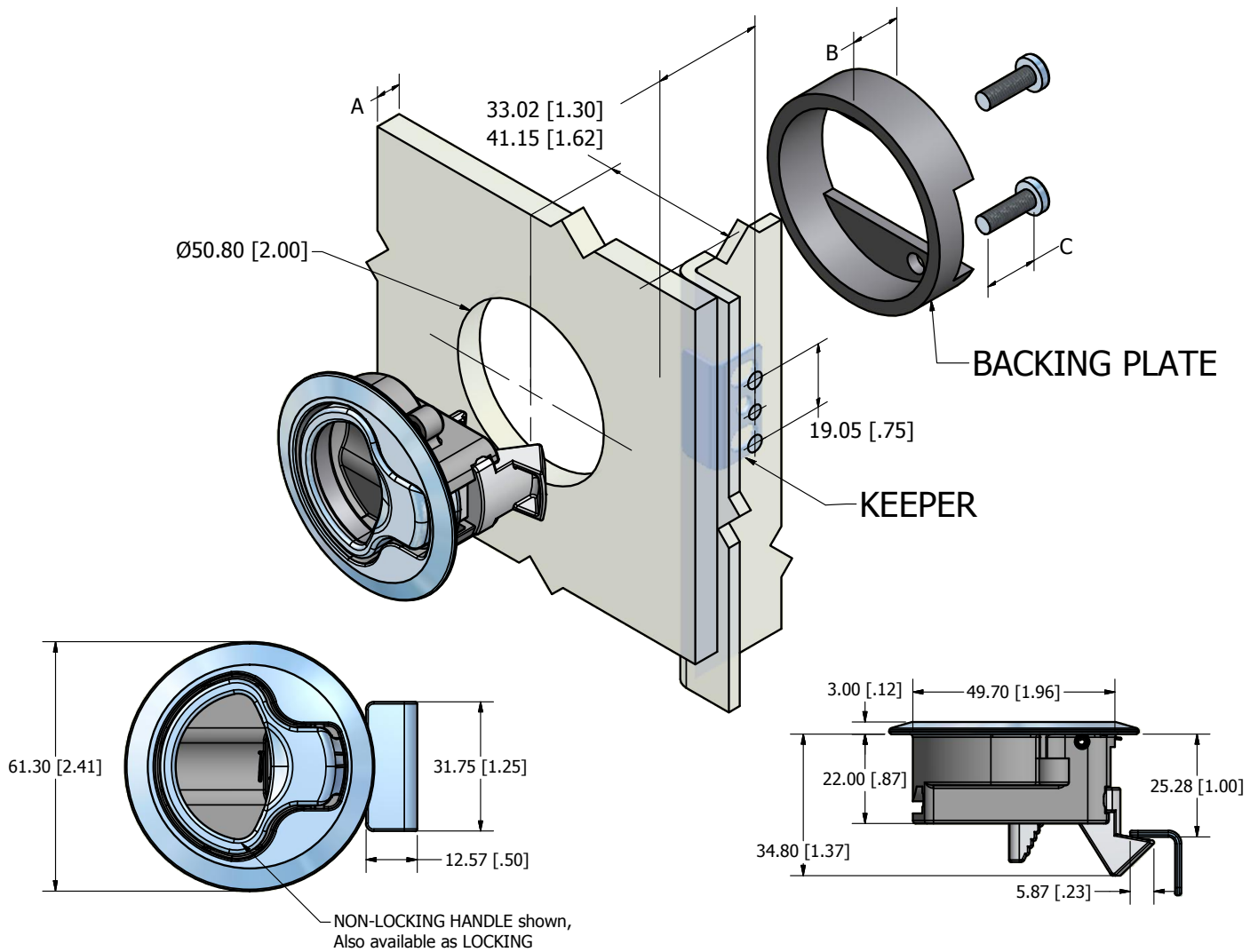




2" BEVELED EDGE SLAM LATCHES

- 316 Stainless Steel*
- Superior GEMLUX Finish
- Spring Loaded 2 Finger Pull
- Single, 2" Round Hole Installation



PART NUMBER		PANEL THICKNESS A		BACKING PLATE HEIGHT B	MOUNTING SCREW LENGTH C
Non-locking	Locking	Min	Max		
5151-415-16MM	5154-415-16MM	2 [.075]	7 [.275]	15 [.59]	16 [.63]
5151-415-20MM	5154-415-20MM	7 [.275]	12 [.475]	15 [.59]	20 [.81]
5151-410-16MM	5154-410-16MM	12 [.475]	17 [.675]	5 [.20]	16 [.63]
5151-410-20MM	5154-410-20MM	17 [.675]	22 [.875]	5 [.20]	20 [.81]

All dimensions in millimeters [inches]

* Some components made of 304 Stainless Steel