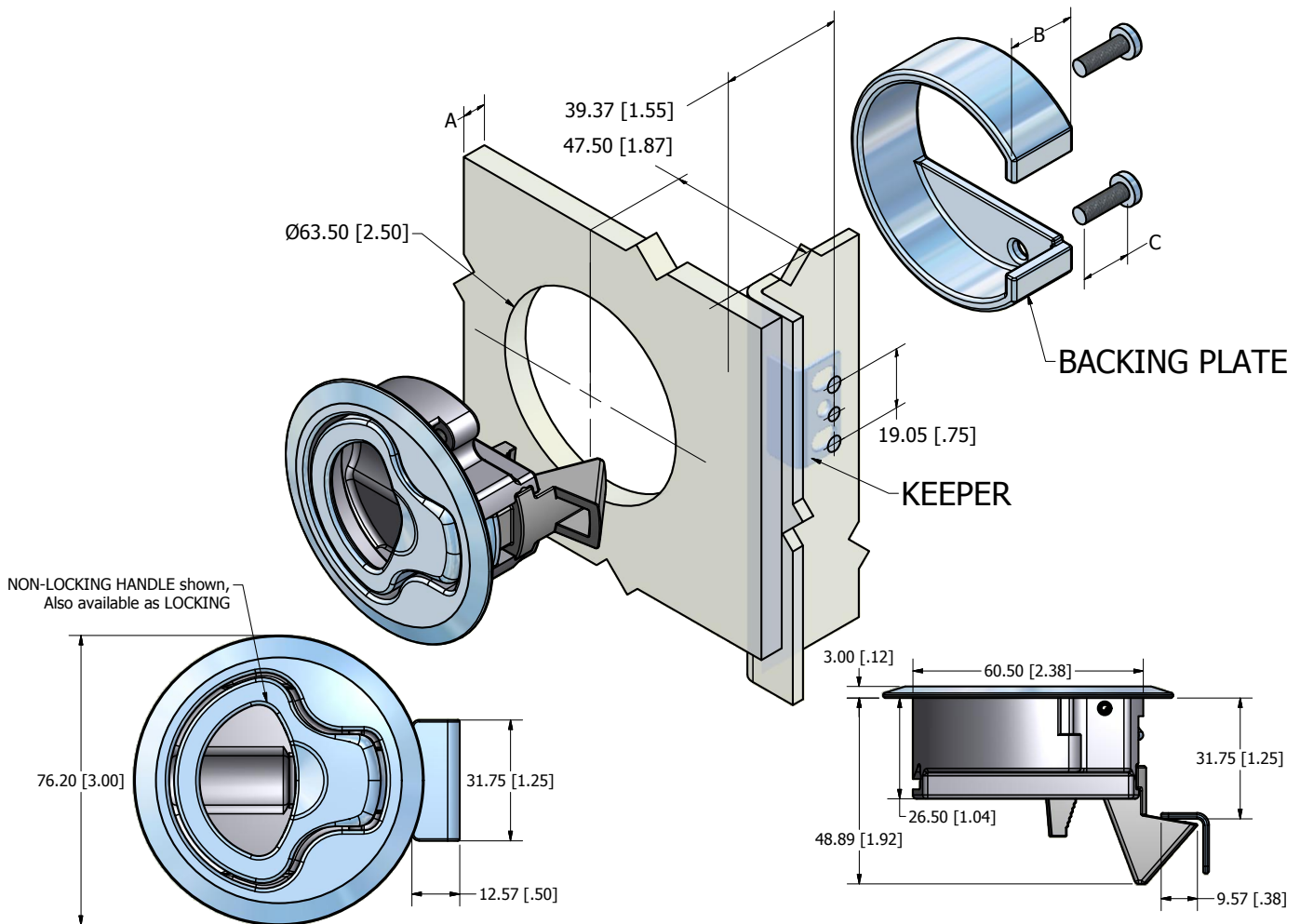




2.5" BEVELED EDGE SLAM LATCHES

- 316 Stainless Steel*
- Superior GEMLUX Finish
- Spring Loaded 2 Finger Pull
- Single, 2.5" Round Hole Installation



PART NUMBER		PANEL THICKNESS A		BACKING PLATE HEIGHT B	MOUNTING SCREW LENGTH C
Non-locking	Locking	Min	Max		
5251-425-16MM	5254-425-16MM	2 [.075]	7 [.275]	22 [.87]	16 [.63]
5251-425-20MM	5254-425-20MM	7 [.275]	12 [.475]	22 [.87]	20 [.81]
5251-420-16MM	5254-420-16MM	12 [.475]	17 [.675]	12 [.475]	16 [.63]
5251-420-20MM	5254-420-20MM	17 [.675]	22 [.875]	12 [.475]	20 [.81]

All dimensions in millimeters [inches]

* Some components made of 304 Stainless Steel