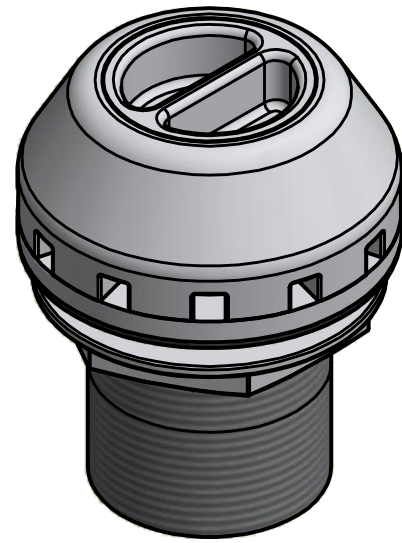
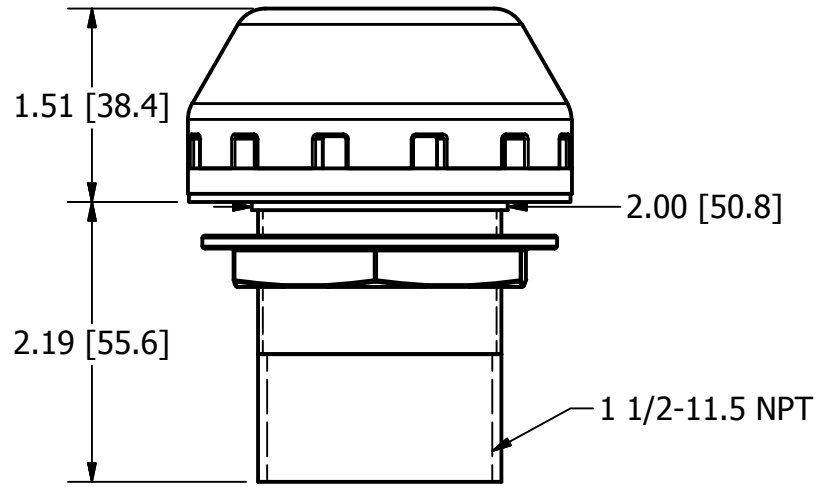
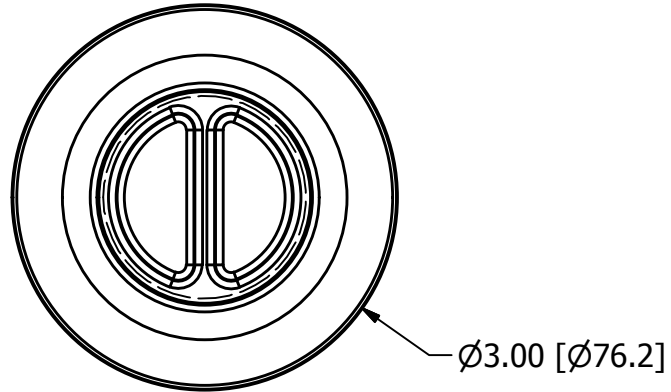


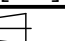


# Marketing Drawing



Part Number			Rev	Description			
74601			0	Adjustable Live Well Drain with Plug			
Paper	Standards	Tolerance			Scale	Sheet	
A	INCHES[MM]	X.x"	±.100"		140 Industrial Loop Orange Park, FL 32073 Phone: 800.874.4506 www.gemlux.com	2:3	1 OF 1
		X.xx"	±.020"				
		X.xxx"	±.005"				