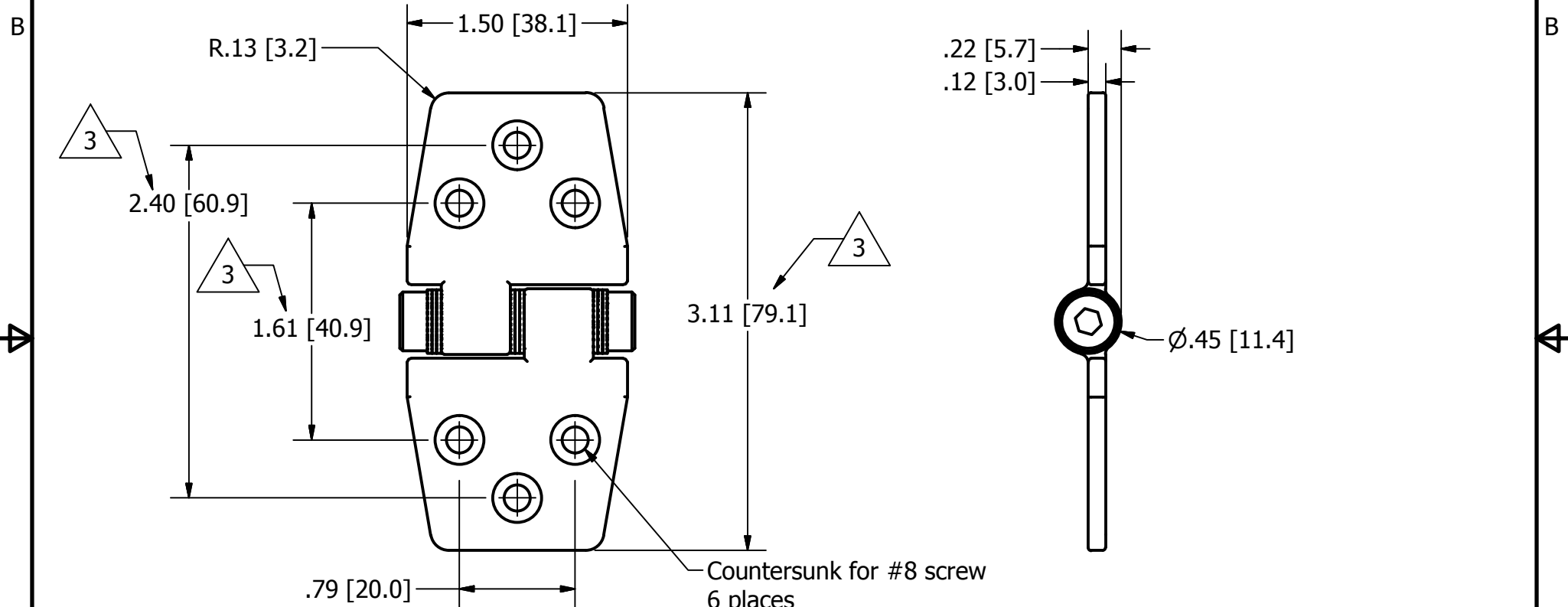


# Marketing Drawing for FH-1209-SU



**Description**  
Friction Hinge 3.11"x1.5", Swaged Up

Size	Part No	Rev	Scale
A	FH-1209-SU	3	1:1

Phone: 800.874.4506

www.gemlux.com