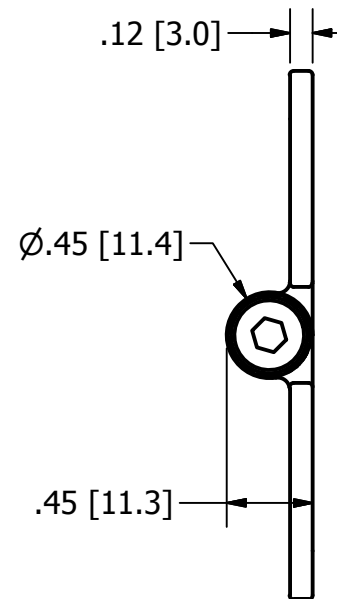
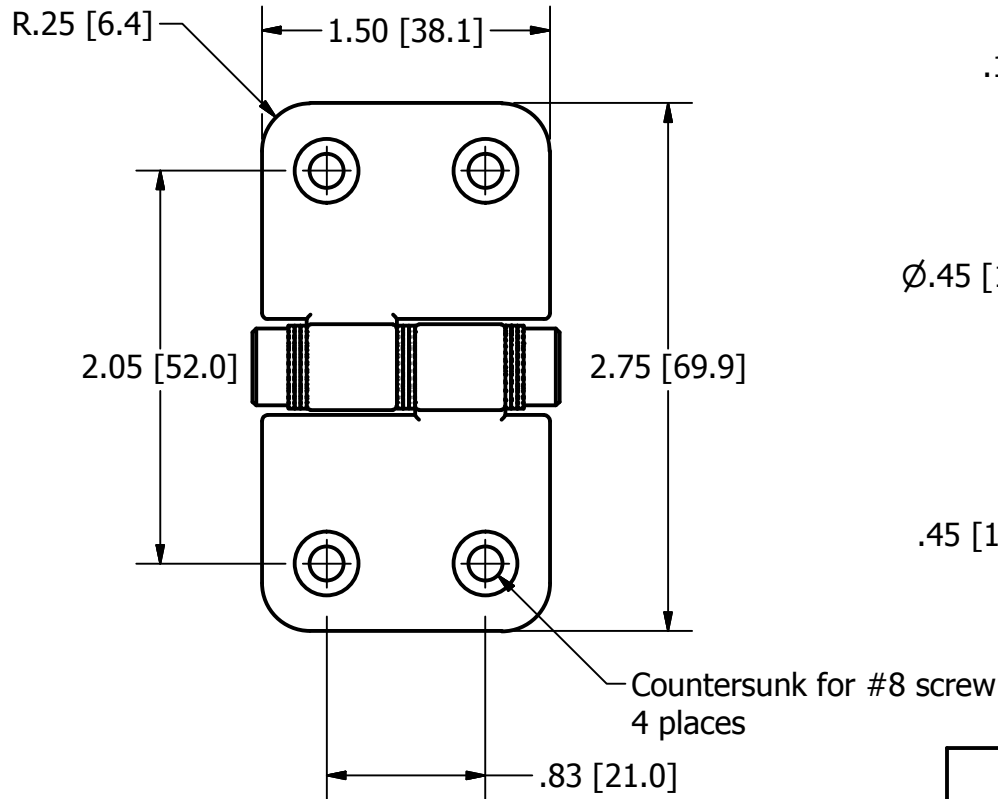


Marketing Drawing for FH-2185-TM



Description
Friction Hinge 2.75"x1.5", Top Mount

Size	Part No	Rev	Scale
A	FH-2185-TM	3	1:1

Phone: 800.874.4506

www.gemlux.com